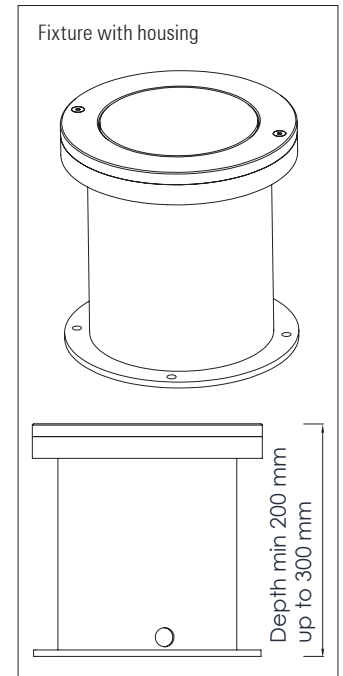
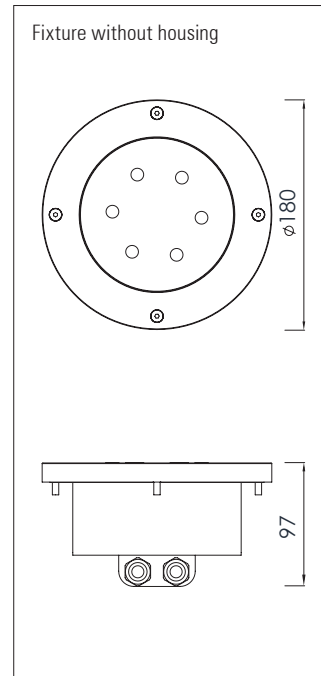


Water Effect In-ground RAD 180 FP IP 67

Exterior, in-ground, DMX controlled, dynamic LED effect lighting system



Water Effect In-ground RAD 180 FP IP 67

The Water Effect In-ground RAD 180 FP IP 67 System is an IP67 rated, walk-over, exterior, in-ground LED effect projector, developed for use in landscape and architectural lighting applications which require customisable, decorative, dynamic lit-effects from a compact and discreet luminaire.

Product description:

Each fixture incorporates a 12x 1.5 Watt Cree XPE / XPG LED light engine, a multi-channel DMX driver and a textured glass panel optic. These can all be customised to create decorative, dynamic lit-effects tailored to suit project requirements.

Up to 8 DMX channels create overlapping dimming sequences so that the LEDs project output through rippled or textured glass giving a range of effects including light reflecting on moving water / fire and smoke.

The system does not rely on any moving parts and the LEDs are not run at full power for most of the dimming sequence, giving a long working life of up to 100,000 hours.

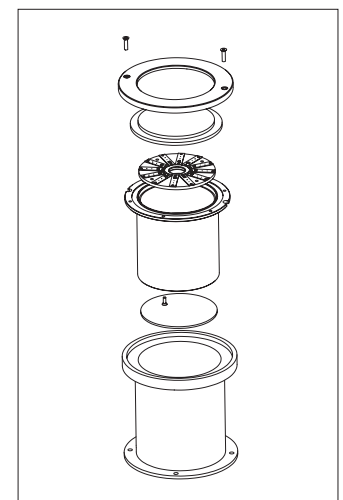
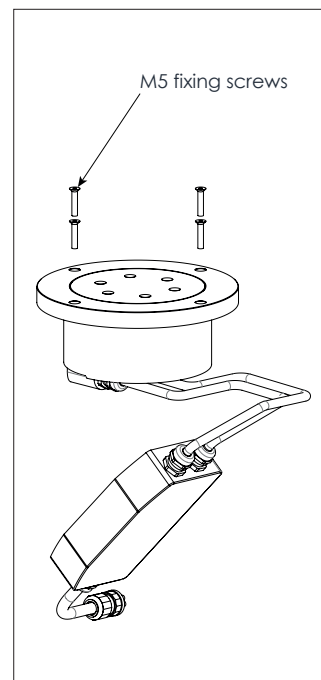
Each fixture can be run at up to 20 Watts, providing up to 1,600 lumens, depending on the mix of LED colours and colour temperatures and the textured glass used. The lumen output varies during the dimming control sequence.

Both integral DMX LV driver and remote AC to DC DMX driver versions are available.

Various LED colours, colour temperatures and CRI options available. The colour / CCT of each LED can be specified.

Sleeve design for cast concrete with drainage. PVC Housing. 316 L stainless bezel.

Ingress Protection IP67. Walk over rated glass window.



Up to 1,600 Lumens per fixture

Product Code	IP	LED Type	LED Colour or white LED Colour Temp.(K)	CRI	Window	Optics	Bezel finish
WATER EFFECT IN-GROUND RAD 180 FP IP 67 INTEGRAL DRIVER	67	CREE: 12x Cree XPE / XPG LED LEDs - custom combinations or white or colour LEDs can be specified	Specify colour / colour temp. for each of the 12 LEDs in the LED cluster array:	70 80 90	Walk-over rated glass Anti-slip finish	Textured glass: Rippled Stippled	Stainless steel finish:
WATER EFFECT IN-GROUND RAD 180 FP IP 67 REMOTE DRIVER			Far Red, Deep Red, Red, Red-Orange, Amber, PC Amber, Mint, Lime, Green, Cyan, Blue, Royal Blue, Violet				22=2,200k 27=2,700k 30=3,000k 35=3,500k 40=4,000k 50=5,000k 57=5,700k 65=6,500k
							Powder coat finish: Black White Any RAL colour