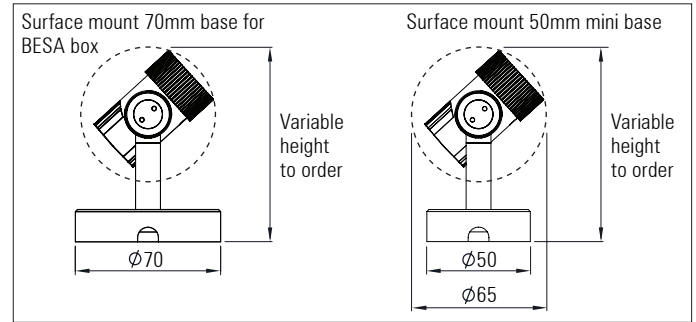
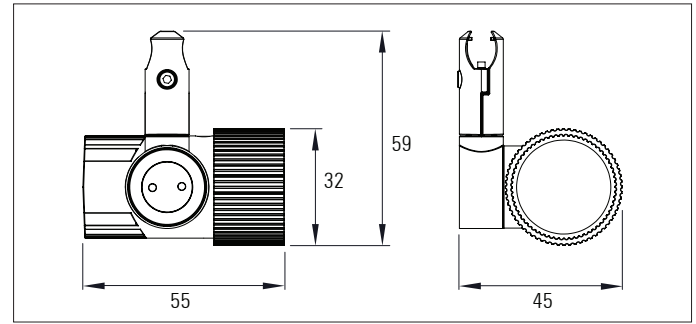


Micro Track LED ribbed spotlight



Micro Track LED ribbed spotlight

Miniature LED spotlight for use with Radiant Micro Track system or with surface mount base

Product description:

For use in retail display cabinets, museums and residential lighting applications

1 x 3.5 Watt Citizen or Sharp COB LED or 2.4 Watt Cree XPE or XPG LED per spotlight

Integral DC to DC LV constant current driver up to 700 mA

Spotlight rotatable in two axes

12 Volt DC Supply

Various LED colour temperature and CRI options available

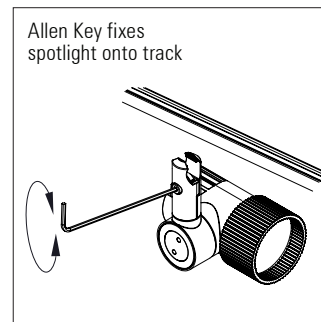
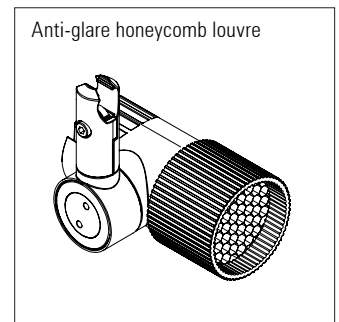
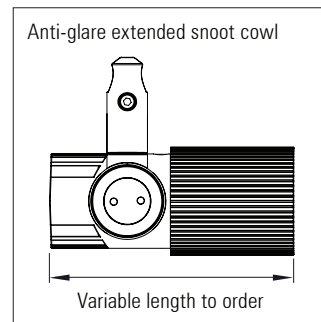
Various optics and anti-glare accessories available - changeable on-site

Dimming options available: 1 - 10V, DALI or DMX

Satin black, satin white or any RAL colour finish

Track comes in polished chrome, dark chrome or satin chrome. Custom lengths up to 2 mtrs. Available in straight or custom curved lengths to order

The Radiant Micro Track is one of the smallest section low voltage track systems available



Product Code	IP	Watts per spotlight	Colour Temp. (K)	CRI	Optics	Mounting Type	Finish
RAD LED SPR CIT LH	20	3.5	27=2,700k	80	Citizen/Sharp LED array: 26° 32° 39°	Surface Track	Spotlight: Black White Any RAL colour
RAD LED SPR CREE LH		2.4	30=3,000k 40=4,000k 45=4,500k 50=5,000k	90			
							Track: Polished chrome Dark chrome Satin chrome