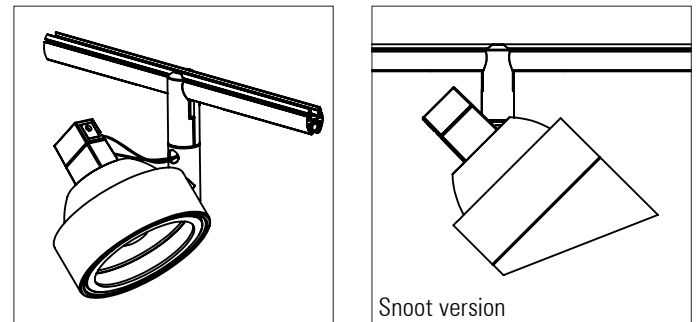
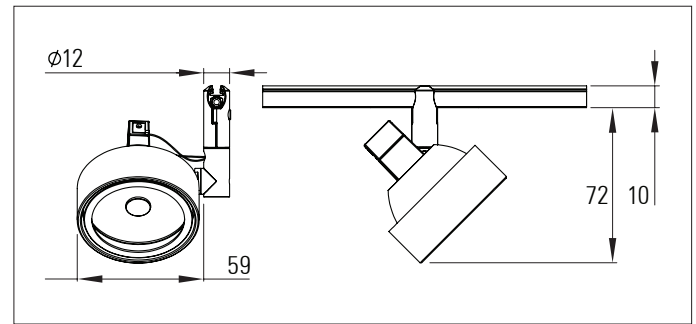


# Micro Track MR 16 Snap Spotlight



## Micro Track MR 16 Snap Spotlight

Micro Track MR 16 spotlight designed to integrate with Soraa Snap MR16 LED lamps

The Radiant Micro Track is one of the smallest section low voltage tracks systems available

### Product description:

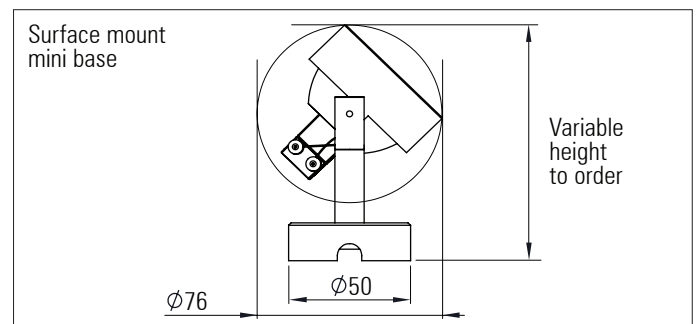
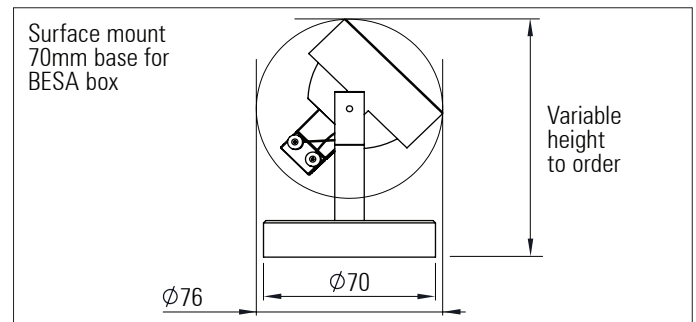
Micro Track MR 16 spotlight can be used with the Radiant Micro Track system or with a surface mount base

Spotlight rotatable in two axes

12 V DC Supply

Satin black, satin white or any RAL colour finish

The Soraa SNAP accessories attach to Soraa SNAP lamps with a magnetic catch. Accessories include honeycomb louvre, beam shaping optics and colour temperature changing filters



Product Code	IP	Watts per spotlight	Colour Temp. (K)	CRI	Optics	Mounting Type	Finish
MICRO TRACK MR 16 SNAP	20	Refer to Soraa MR16 constant current data sheets	Refer to Soraa MR16 constant current data sheets	Refer to Soraa MR16 constant current data sheets	Refer to Soraa MR16 constant current data sheets	Surface Track	Black White Any RAL colour