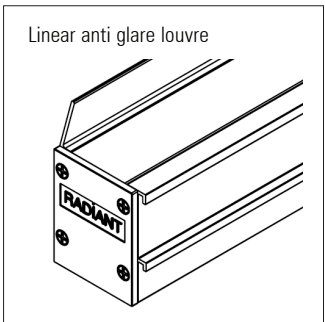
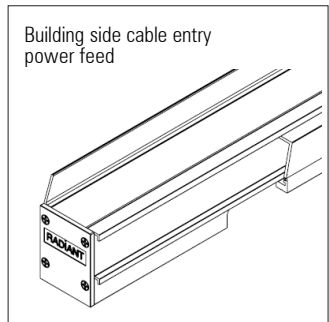
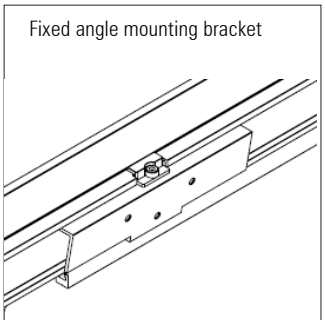
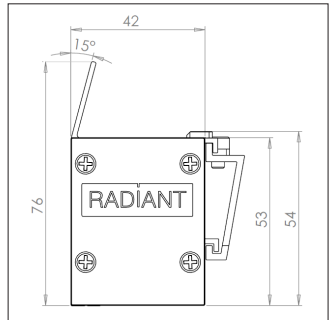
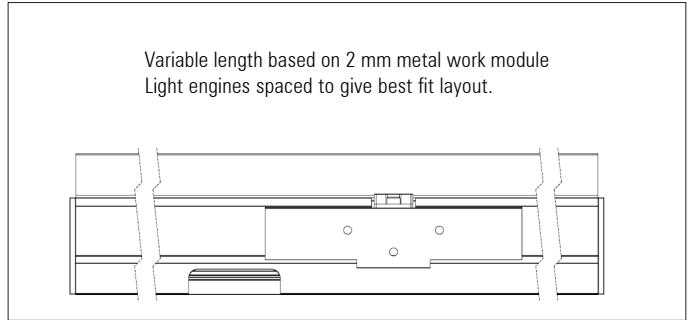


Euclid 40 IP 66

LED linear lighting system IP 66



Up to 3,600 Lumens per mtr

Euclid 40 IP 66 system with lenses.

IP 66 rated LED linear lighting system

Product description:

Exterior wall grazing lighting applications

Integral DC to DC low voltage drivers. Remote 48 V DC power supply

40 x Cree XPE 2 LEDs per mtr with Ledil Tina or Heidi lenses

Integral linear anti glare micro louvre can be provided if required

Linear anti glare can be provided if required.

Up to 48 Watts per Mtr. Up to 3,600 lumens per mtr.

From 2,200 K to 6,500 K 80 or 90 CRI LEDs. Single ANSI bin. 2 Macadams Ellipse binning

Metal work exterior grade powder coated

Fixed or adjustable angle mounting brackets.

DALI, 1 - 10 V or DMX dimming. Separate dimming channel and remote dimming kit

Side power feed options allow continuous lighting without dark areas - LED pitch is maintained between the individual luminaires

Product Code	IP	No. of LEDs per mtr.	Length (mm)	Colour Temp. (K)	CRI	Optics	Bracket Type	Cover	Feed	Finish
Euclid 40 IP66 HP - 4 L	66	40 LEDs per Mtr: 25mm pitch	100mm	27=2,700k 30=3,000k 35=3,500k 40=4,000k 45=4,500k 50=5,000k	80 90	N, M, W, E, Contact Radiant for more options and for photometric data	Adjustble Fixed Custom	Clear Hard coated	End Back Side	Black White colour
Euclid 40 IP66 HP- 3 L		30 LEDs per Mtr: 33mm pitch	-increments of 100mm up to-	* RGB * RGBW * RGBA * Dynamic white						
Euclid 40 IP66 HP - 2 L		20 LEDs per Mtr: 50mm pitch	2,500mm							