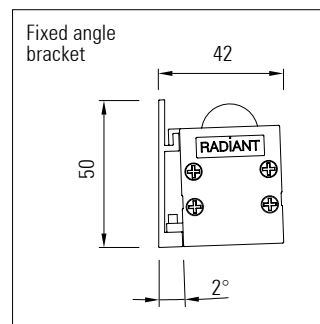
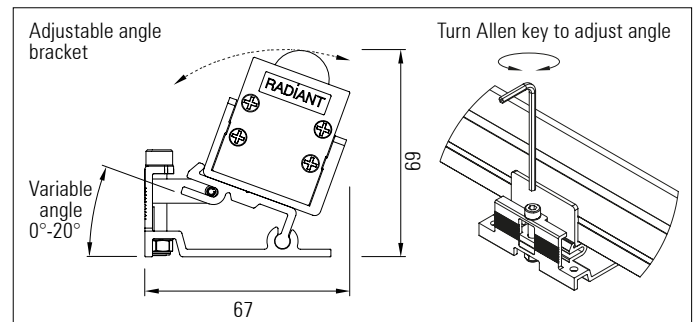
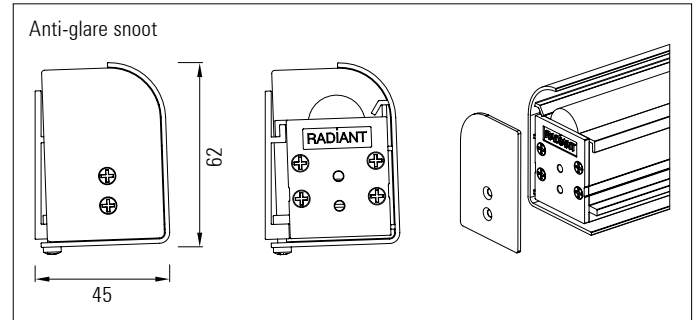
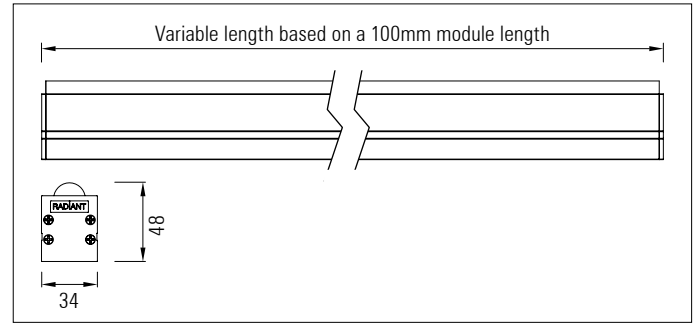


## Euclid 30 IP65

### LED linear lighting system



Up to 2,000 Lumens per Mtr

#### Euclid 30 IP65

LED linear lighting system

#### Product description:

For use in a wide variety of exterior linear lighting applications including indirect cove lighting, wall grazing and wall washing

Medium power 0.3 Watt Osram, Samsung or Luminus LEDs

Up to 30 Watts per Mtr

Integral DC to DC low voltage linear drivers. Remote 30V DC power supply

Various LED colour temperature and CRI options available

A linear lens can be used giving excellent beam control, or a dot free opal cover for a softer diffuse lit effect

Custom lengths based on a 100 mm module up to 2.5 mtrs

The extruded body heat sink incorporates space for 17.5 Amp IP68 rated connectors so that up to 11 mtrs of the system can be linked together on site and fed from a single feed point without dark gaps. Side, back or end power feed options are available

Mounting options include adjustable angle or fixed angle brackets

An Anti-glare snoot can be used, providing excellent visual comfort

Various dimming options available: 1 - 10, DALI, DMX. Separate dimming channel

Black, white or any RAL paint colour finish

Product Code	No. of LEDs per mtr.	IP	Length (mm)	LED Type	Optics (°)	Colour Temp. (K)	CRI	Cover	Fixing Type	Feed	Finish
EUCLID 30 IP65	62 LEDs per Mtr: 16mm pitch	65	100mm	0.3W LEDs: Osram Samsung Luminus	120°  40° linear lens  Optical film	27=2,700k 30=3,000k 35=3,500k 40=4,000k 45=4,500k 50=5,000k RGB RGBW RGBA Dynamic white	80 90	Clear Opal Frosted	Adjustable angle	End Back Side	Black White Any RAL-colour
			-increments of 100mm up to- 2,500mm						Fixed angle		
									Custom		