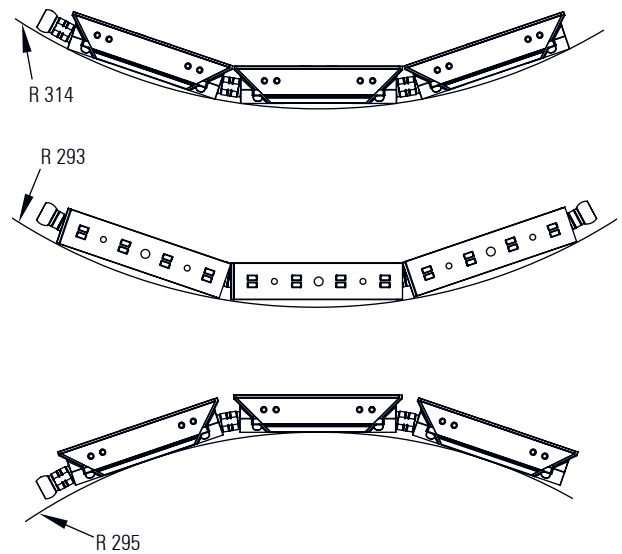


# Euclid 20 IP20 ball-joint version

Modular, 3D flexible LED linear lighting system IP20



Standard minimum bend radii with 100mm modules:



## Euclid 20 IP20 ball-joint version

Modular, IP20 rated LED linear lighting system with articulated ball-joint system between modules

### Product description:

Interior cove lighting applications

Integral DC to DC low voltage drivers. Remote 24 V DC power supply

0.3 Watt Samsung / Osram LEDs, without lenses

Up to 25 Watts per Mtr

Various LED colour temperature and CRI options available

Black, white or any RAL paint colour finish

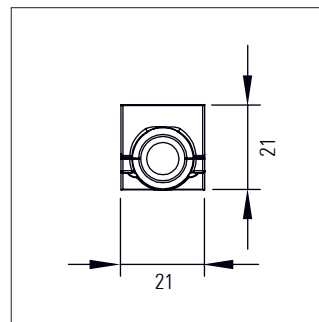
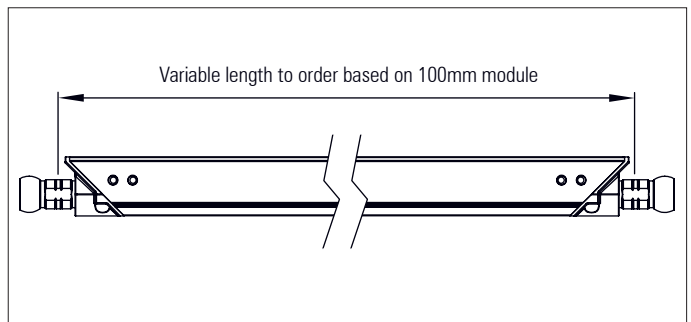
Radiant can supply this system in custom lengths based on a 100 mm module. Minimum length 100mm up to a maximum of 2.5 mtrs

Various mounting options and bracket types are available

16 Amp IP20 connectors join strips together on-site

Various dimming options available: 1 - 10, DALI, DMX. Separate dimming channel

Side, back and end power feed options allow continuous lighting without dark areas - LED pitch is maintained between the individual luminaires



Product Code	IP	No. of LEDs per mtr.	Module length (mm)	Colour Temp. (K)	CRI	Optics	Bracket Type	Cover	Feed	Finish
EUCLID 20 BALL JOINT	20	80 = 25mm (LED spacing)	100mm -increments of 100mm up to- 2,500mm	27=2,700k 30=3,000k 35=3,500k 40=4,000k 45=4,500k 50=5,000k RGB RGBW RGBA Dynamic white	80 90	120° 40° linear-lens	Spring clip	Clear Frosted Opal	End Back Side	Andodized-silver Black White Any RAL-colour