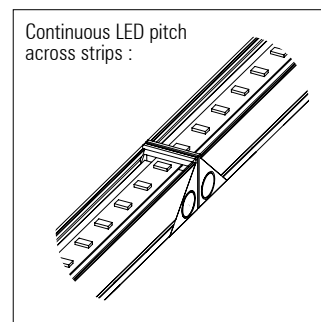
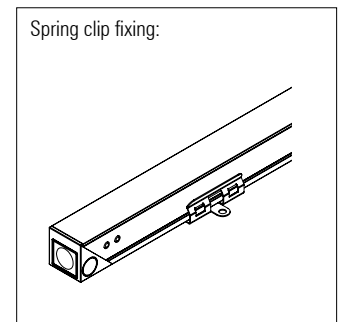
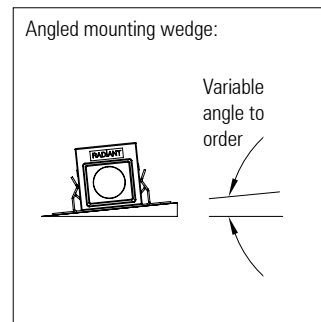
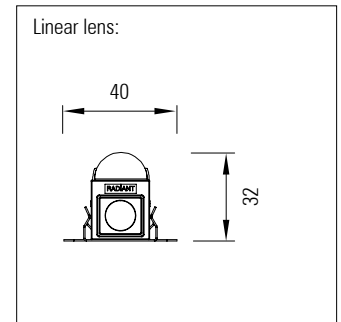
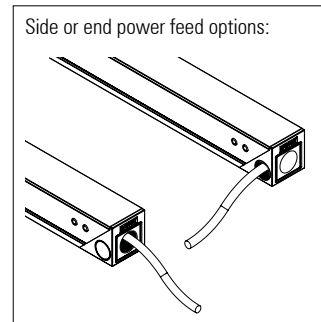
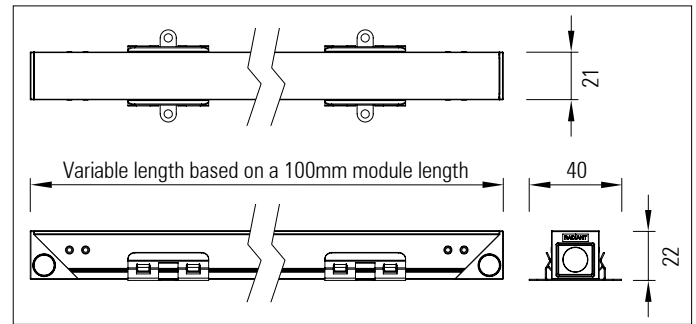


## Euclid 20 IP20

0.3 Watt medium power LEDs

LED linear lighting system



Up to 1,800 Lumens per Mtr

### 0.3 Watt medium power LEDs

LED linear lighting system

#### Product description:

For use in interior indirect lighting applications including cove lighting, wall grazing and wall washing

Osram, Samsung or Luminus medium power 0.3 Watt LEDs

Up to 25 Watts per Mtr

Integral DC to DC low voltage linear drivers. Remote 24 V DC power supply

Continuous LED pitch across strips

Wide range of LED colour temperature and CRI options available

40° linear-lens is available

Custom lengths based on a 100 mm module up to 2.5 Mtrs

Mounting options include spring clips or custom bracket options

Various dimming options available: 1 - 10, DALI, DMX. Separate dimming channel

Side, end or back power feed and connector options allow for continuous lighting - Up to 11 mtrs can be lit from a single feed point. 16 Amp IP20 connectors join fixtures together on-site

Black, white or any RAL paint colour finish

\* Dynamic-white option does not use a colour mixing lens

Product Code	No. of LEDs per mtr.	IP	Length (mm)	LED Type	Optics (°)	Colour Temp. (K)	CRI	Cover	Fixing Type	Feed	Finish
EUCLID 20 IP20 0.3W	80 LEDs per Mtr: 12mm LED pitch	20	100mm -increments of 100mm up to- 2,500mm	0.3W LEDs: Osram Samsung Luminus	120°  40° linear lens  Optical film	27=2,700k 30=3,000k 35=3,500k 40=4,000k 45=4,500k 50=5,000k Dynamic white	80 90	Clear Frosted Opal	Spring-clip	End Back Side	Black White Any RAL- colour
									Custom		
									Wedge: Specify angle		