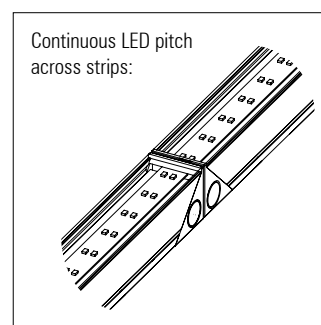
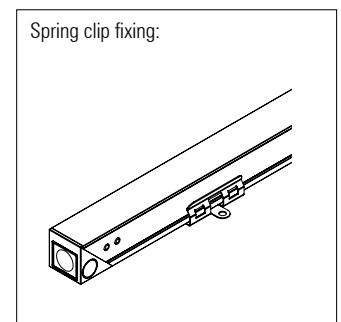
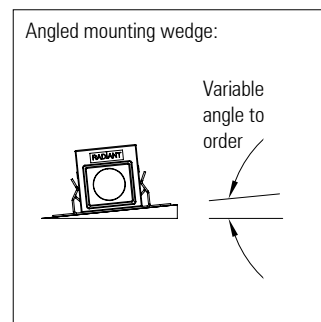
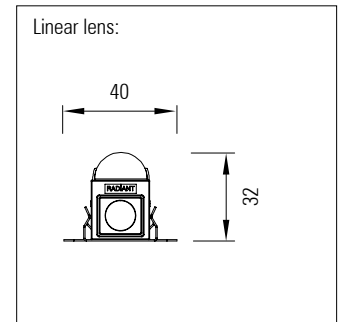
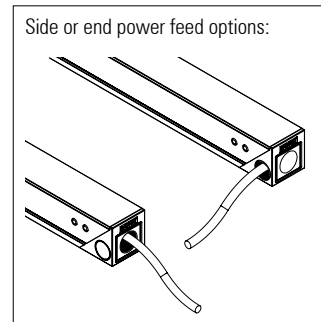
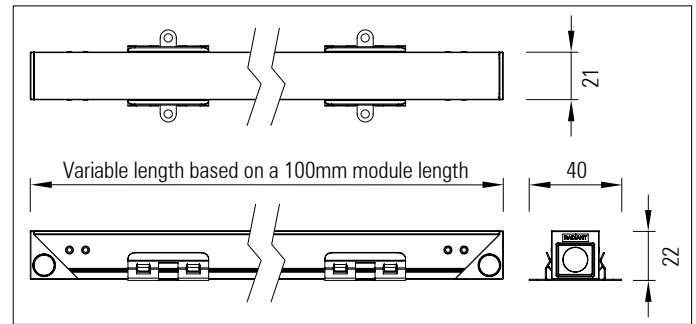


Euclid 20 IP20 H.O.

High output version

LED linear lighting system



Up to 2,600 Lumens per Mtr

High output version - 160 x 0.2 Watt medium power LEDs per Mtr

LED linear lighting system - Up to 2,600 lumens per mtr with 3,000 K 80 CRI LEDs

Product description:

For use in interior indirect lighting applications including cove lighting, wall grazing and wall washing

160 x Luminus medium power 0.2 Watt LEDs per Mtr

Up to 35 Watts per Mtr

Integral DC to DC low voltage linear drivers. Remote 24 V DC power supply

Continuous LED pitch across strips

Wide range of LED colour temperature and CRI options available

40° linear-lens is available

Custom lengths based on a 100 mm module up to 2.5 Mtrs

Mounting options include spring clips or custom bracket options

Various dimming options available: 1 - 10, DALI, DMX. Separate dimming channel

Side, end or back power feed and connector options allow for continuous lighting - Up to 8 mtrs can be lit from a single feed point. 16 Amp IP20 connectors join fixtures together on-site

Black, white or any RAL paint colour finish

* Dynamic-white option does not use a colour mixing lens

| Product Code | No. of LEDs per mtr. | IP | Length (mm) | LED Type | Optics (°) | Colour Temp. (K) | CRI | Cover | Fixing Type | Feed | Finish |
|---------------------|--|----|---|---------------------------|---|---|----------|--------------------------|-------------------------|---------------------|----------------------------------|
| EUCLID 20 IP20 H.O. | 160 LEDs per Mtr: 12mm LED pitch between arrays of 2 LEDs | 20 | 100mm -increments of 100mm up to- 2,500mm | 0.2W LEDs: Luminus | 120° 40° linear lens Optical film | 27=2,700k 30=3,000k 35=3,500k 40=4,000k 45=4,500k 50=5,000k Dynamic white | 80 90 | Clear Frosted Opal | Spring-clip | End Back Side | Black White Any RAL-colour |
| | | | | | | | | | Custom | | |
| | | | | | | | | | Wedge: Specify angle | | |