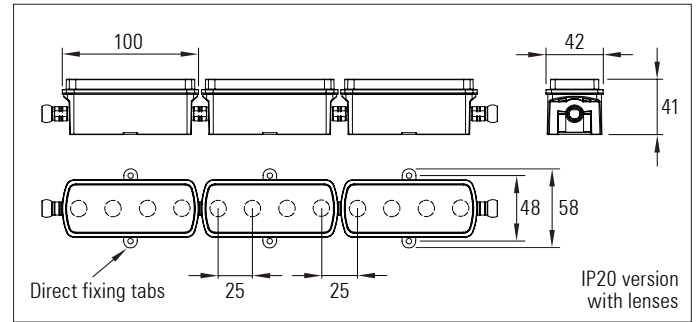
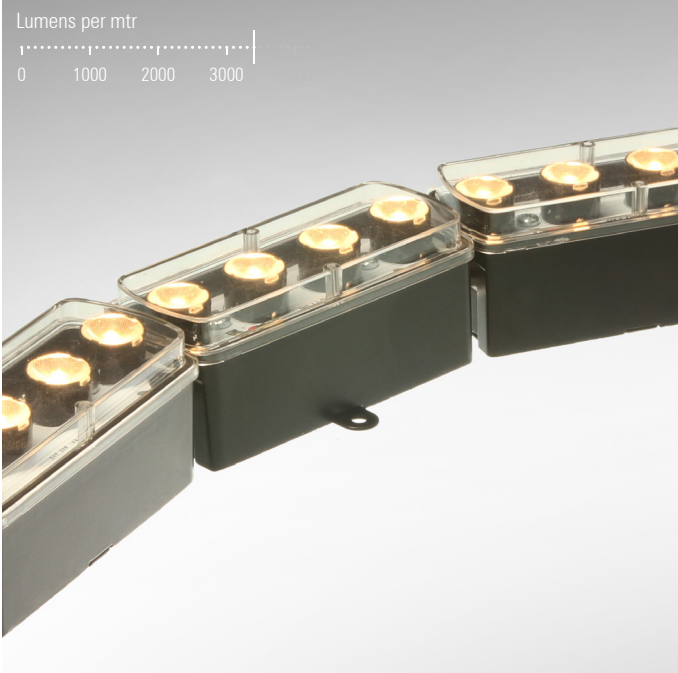


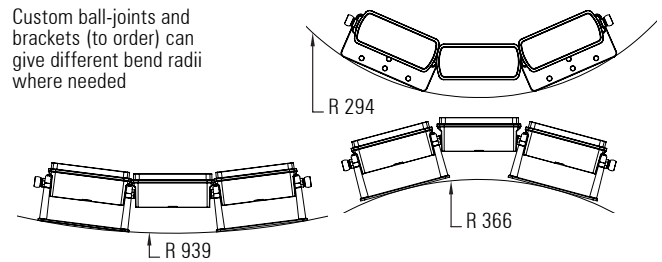
3D LED FLEX 40

IP 20 with 2 or 4 x Cree XBD / XPE LEDs with lenses per module
Modular, 3D flexible LED linear lighting system



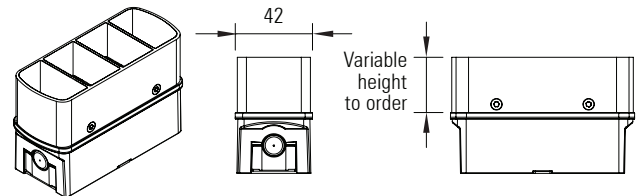
Standard minimum bend radii with adjustable angle brackets

Custom ball-joints and brackets (to order) can give different bend radii where needed

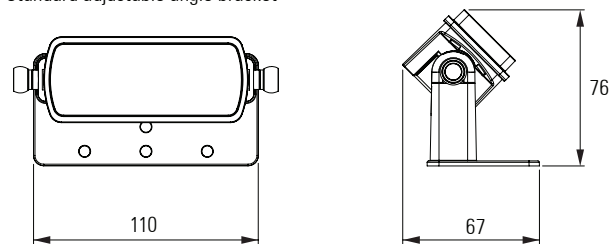


Anti-glare snoot with cross-blades

(more snoot accessories available - see snoot accessory data sheet)



Standard adjustable angle bracket



RAD 3D LED Flex 40 IP 20 XBD / XPE - 4 L

Modular, flexible LED linear lighting system

Product description:

For use in interior indirect cove lighting applications or direct wall washing applications where the building surfaces are non linear with curved profiles

Each module - 2 or 4 x Cree XBD / XPE LEDs, with lenses

4.5 Watts per 100mm module.

30 Volt - 48 Volt DC supply depending on application

Flexible in 3 dimensions - Articulated ball-joint system between modules

Continuous lighting without dark areas - LED pitch is maintained between the modules

Integral LV constant current driver

16 Amp IP20 connectors join strips together on-site. Side, back and end power feed options - continuous lighting between strips

Dimming options available: 1 - 10V, DMX and DALI

Various LED colour temperature and CRI options available

Satin black, satin white or any RAL paint colour finish

Custom lengths based on a 100 mm module up to 2 mtrs

Various mounting options and bracket types are available

Product Code	IP	No. of LEDs per mtr.	Length (mm)	Colour Temp. (K)	CRI	Optics	Bracket Type	Cover	Feed	Finish
RAD 3D LED FLEX 40 IP20 XPE - 4 L	20 44	40 = 25mm 20 = 50mm (LED spacing in mm)	100mm -increments of 100mm up to- 2,000mm	27=2,700k 30=3,000k 35=3,500k 40=4,000k 45=4,500k 50=5,000k RGB RGBW RGBA Dynamic white	80 90	W 58° M 30° N 14° NN 10° E 33x15°	Adjustable Fixed	Clear	End Back Side	Black White Any RAL-colour