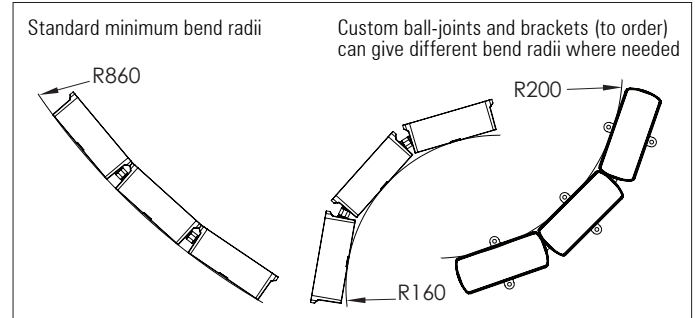
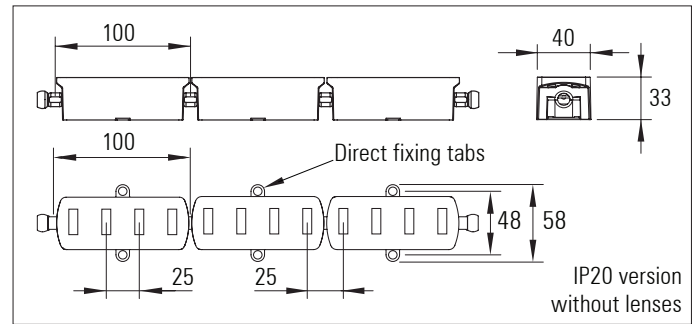


3D LED FLEX 40

IP 20 with 12 x 0.3 Watt LEDs per module
Modular, 3D flexible LED linear lighting system



RAD 3D LED Flex 40 IP 20 0.3 SS - 12

Modular, flexible LED linear lighting system

Product description:

For use in interior indirect cove lighting applications where the building surfaces are non linear with curved profiles

Each module - 12 x 0.3 Watt Osram or Samsung LEDs, without lenses

High efficiency white reflector

Up to 4.5 Watts per 100mm module. 24 Volt DC supply

Flexible in 3 dimensions - Articulated ball-joint system between modules

Continuous lighting without dark areas - LED pitch is maintained between the individual luminaires

Integral LV constant current driver

16 Amp IP20 connectors join strips together on-site

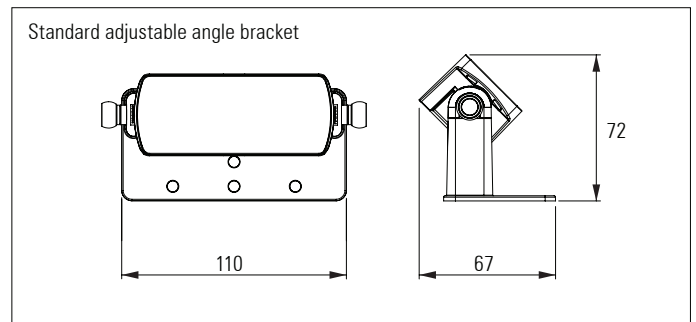
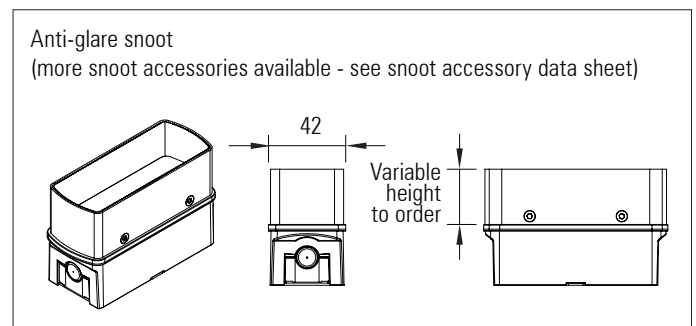
Dimming options available: 1 - 10V, DMX and DALI. Separate dimming channel

Various LED colour temperatures and CRI options available

Satin black, satin white or any RAL paint colour finish

Custom lengths based on a 100 mm module up to 2 mtrs

Various mounting options and bracket types are available



Product Code	IP	No. of LEDs per mtr.	Length (mm)	Colour Temp. (K)	CRI	Optics	Bracket Type	Cover	Feed	Finish
RAD 3D LED FLEX 40 IP20 0.3 SS - 12	20	120 25mm-LED spacing	100mm -increments of 100mm up to- 2,000mm	27=2,700k 30=3,000k 35=3,500k 40=4,000k 45=4,500k 50=5,000k	80 90	120°	Adjustable Fixed Custom	Clear Frosted	End Back Side	Black White Any RAL-colour