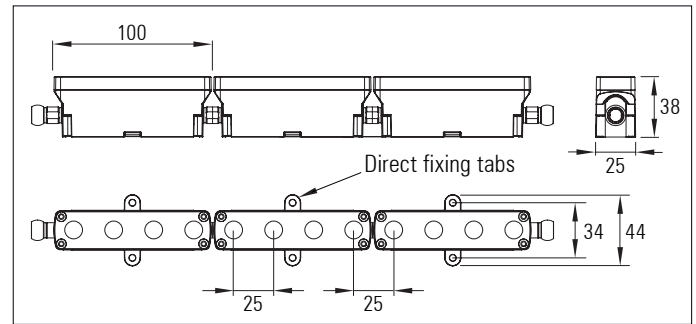
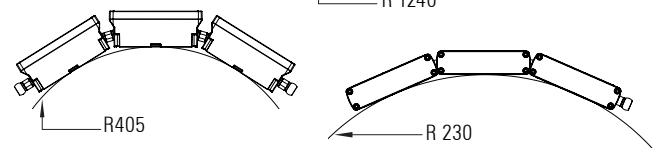


3D LED FLEX 25

IP 20 with 4 x Cree XPE / XBD LEDs per module, with lenses
3D flexible LED linear lighting system



Standard minimum bend radii
Custom ball-joint and brackets
(to order) can give different
bend radii where needed



3D LED FLEX 25 IP20, with 4 x Cree XPE/XBD LEDs with lenses per module

Modular, flexible LED linear lighting system

Product description:

For use in interior indirect cove lighting applications or direct wall washing applications where the building surfaces are non linear with curved profiles

Each module - 4 x Cree XPE or XBD LEDs with lenses

Up to 3.9 Watts per 100mm module. 30 Volt to 48 Volt DC supply

Flexible in 3 dimensions - Articulated ball-joint system between modules

Continuous lighting without dark areas - LED pitch is maintained between the individual luminaires and across modules

Integral LV constant current drivers

16 Amp IP20 connectors join strips together on-site

Dimming options available: 1-10V, DMX and DALI. Separate dimming channel

Various LED colour temperatures and CRI options available

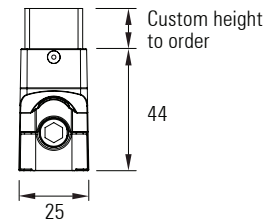
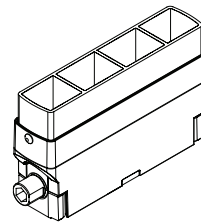
Satin black, satin white or any RAL paint colour finish

Custom lengths based on a 100 mm module up to 2 mtrs

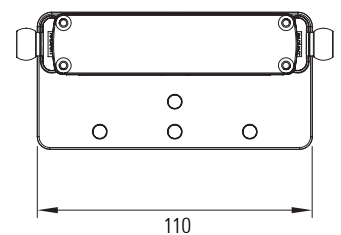
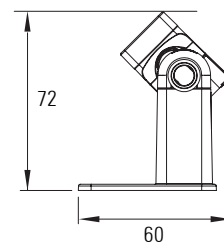
Various mounting options and bracket types are available

Anti-glare snoot

More snoot accessories available - see anti-glare accessory data sheet



Adjustable angle bracket



Product Code	IP	No. of LEDs per mtr.	Length (mm)	Colour Temp. (K)	CRI	Optics	Bracket Type	Cover	Feed	Finish
RAD LED Flex 25 IP20 XPE - 4 L	20	40 = 25mm (LED spacing in mm)	100mm -increments of 100mm up to- 2,000mm	27=2,700k 30=3,000k 35=3,500k 40=4,000k 45=4,500k 50=5,000k RGB RGBW RGBA Dynamic white	80 90	W 58° M 30° N 14° NN 10° E 33x15°	Adjustable Fixed Custom	Clear	End Back Side	Black White Any RAL-colour