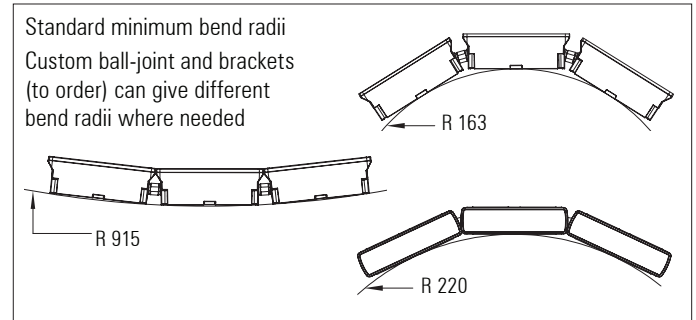
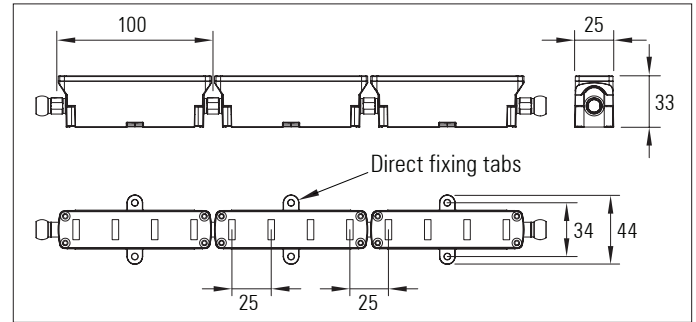


3D LED FLEX 25

IP 20 with 12 x 0.3 Watt LEDs per module without lenses
3D flexible LED linear lighting system



3D LED FLEX 25 IP20 with 12 x 0.3 Watt LEDs per module without lenses

Modular, flexible LED linear lighting system

Product description:

For use in interior indirect cove lighting applications where the building surfaces are non linear with curved profiles

Each module - 12 x 0.3 Watt Osram or Samsung LEDs, without lenses

High efficiency white reflector

Up to 3.9 Watts per 100 mm. 24 Volt DC Supply

Flexible in 3 dimensions - Articulated ball-joint system between modules

Continuous lighting without dark areas - LED pitch is maintained between the individual luminaires

Integral LV constant current drivers

16 Amp IP20 connectors join strips together on-site

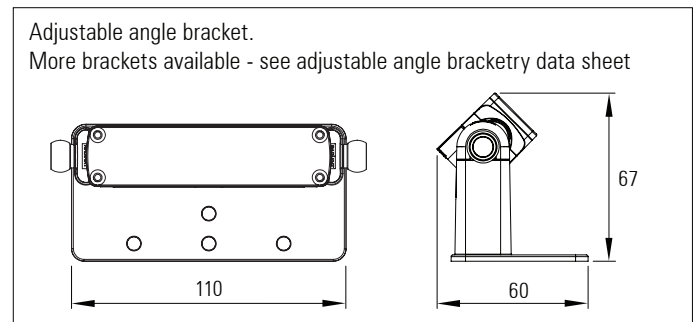
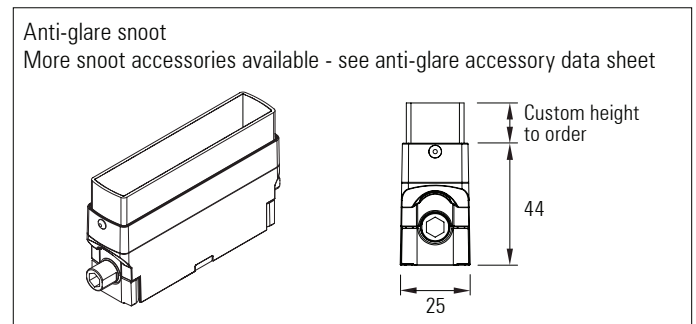
Dimming options available: 1-10V, DMX and DALI. Separate dimming channel

Various LED colour temperatures and CRI options available

Satin black, satin white or any RAL paint colour finish

Custom lengths based on a 100 mm module up to 2 mtrs

Various mounting options and bracket types are available



| Product Code | IP | No. of LEDs per mtr. | Length (mm) | Colour Temp. (K) | CRI | Optics | Bracket Type | Cover | Feed | Finish |
|-------------------------------------|----|-----------------------------|---|--|----------|--------|-------------------------------|------------------|---------------------|----------------------------------|
| RAD 3D LED FLEX 25 IP20 0.3 SS - 12 | 20 | 120 25mm-LED spacing | 100mm -increments of 100mm up to- 2,000mm | 27=2,700k 30=3,000k 35=3,500k 40=4,000k 45=4,500k 50=5,000k | 80 90 | 120° | Adjustable Fixed Custom | Clear Frosted | End Back Side | Black White Any RAL-colour |