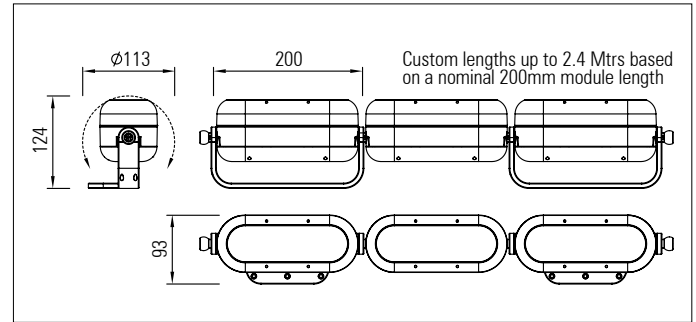


3D LED Flex system 200 RGBW IP66

3 x RGBW LED array with colour-blending lens per 200mm module

Modular, 3D flexible LED linear lighting system



Up to 11,000 Lumens per Mtr

3 x RGBW LED arrays with colour-blending lenses per 200mm module

Modular, 3D flexible LED linear lighting system IP66

Product description:

The 3D LED Flex 200 IP66 system has been developed for use in a wide variety of large-scale exterior architectural lighting projects requiring wall grazing and wall wash lighting where the building surfaces are non-linear with curved profiles and facades.

Each module comprises of: 3 x arrays of 4 x Luxeon ZES or CZ white-light or RGBW LEDs with a highly efficient colour-blending Gaggione lenses

Up to 25 Watts per 200mm module. Up to 48 V DC supply

Flexible in 3 dimensions - Articulated ball-joint system between modules

Side, back and end power feed and connector options allow for continuous lighting with no dark areas between fixtures. 17.5 Amp IP68 connectors join strips together on-site

Integral AC to DC constant current drivers for white and RGBW LED allow long lengths to be powered from a single power feed

Satin black, satin white or any RAL paint colour finish

Custom lengths based on a 200 mm module up to 2.4 mtrs

Various mounting options and bracket types are available

The system has no visible fixings and anti-glare snoots provide excellent glare control.

Product Code	No. of LEDs per mtr.	IP	Length (mm)	LED Type	Optics (°)	Colour Temp. (K)	CRI	Cover	Bracket Type	Feed	Finish
RAD 3D LED FLEX 200 IP66 RGBW - 3 L	60 LEDs per Mtr: (56mm spacing between LED arrays)	66	200mm -increments of 100mm up to- 2,400mm	Luxeon: ZES CZ Cree: XHP35	Gaggione lenses: N, M, W, E (See attached Gaggione data sheets for details)	27=2,700k 30=3,000k 35=3,500k 40=4,000k 45=4,500k 50=5,000k RGB RGBW RGBA Dynamic white	80 90	Clear	Adjustable Fixed Custom	End Back Side	Black White Any RAL-colour