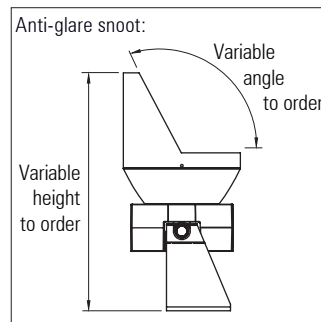
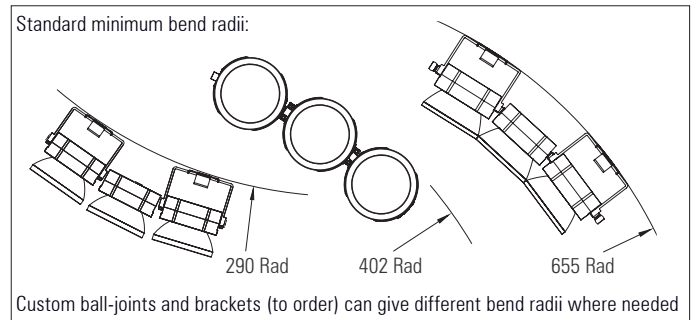
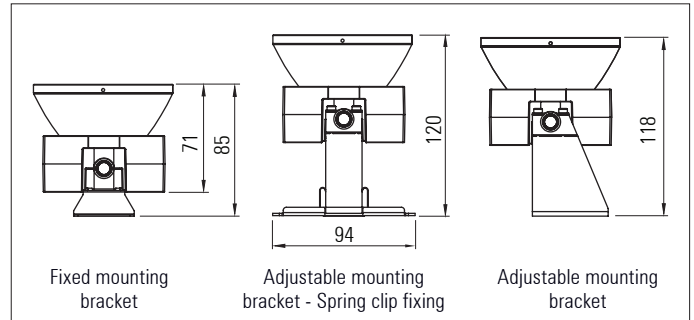
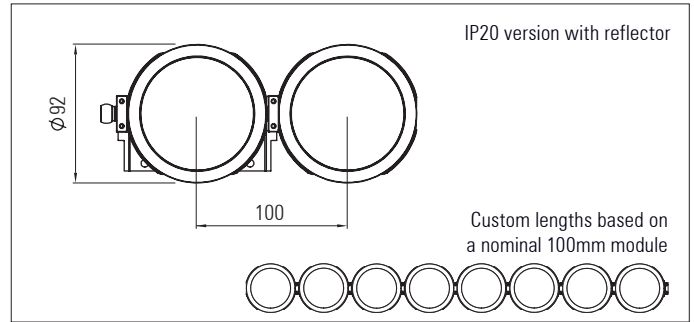
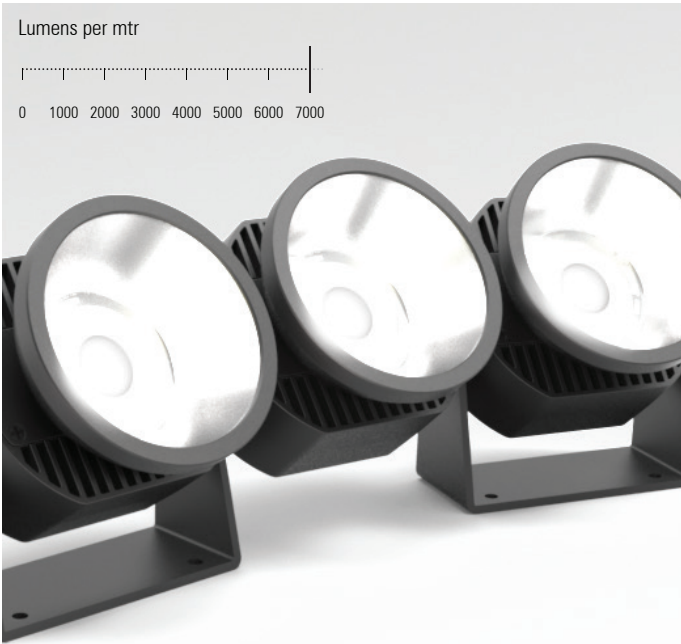


3D LED FLEX 100 Z3

IP 20 with 1 x Xicato XTM LED COB with reflector per module
Modular, 3D flexible LED linear lighting system



RAD 3D LED Flex 100 Z3 IP 20 XTM - 1 with reflector

Modular, flexible LED linear lighting system

Product description:

For use in indirect and direct architectural lighting projects including cove lighting, wall wash and wall grazing lighting applications where colour consistency between LED modules better than 2 MacAdam ellipses is required

Each module - 1 x Xicato XTM LED 9mm LES with reflector

Remote phosphor Xicato LED modules offers the highest colour point stability over the life time of the modules

Up to 10 Watts per 100 mm module

Very high 98 CRI options available (refer to Xicato XTM LED 9mm LES data sheet)

30 Volt - 48 Volt DC supply depending on application

Flexible in 3 dimensions - Articulated ball-joint system between modules

Continuous lit effects without dark areas - 100mm LED pitch is maintained between modules

Integral LV constant current driver

16 Amp IP20 connectors join strips together on-site. Side, back and end connector options - no dark areas between individual strips

Xicato modules have integrated connectors so can be easily replaced at the end of life

Dimming options available: 1 - 10V, DMX and DALI

Various LED colour temperatures available

Satin black, satin white or any RAL paint colour finish

Custom lengths based on a 100 mm module up to 2 mtrs

Various mounting options and bracket types available

Product Code	IP	No. of LEDs per mtr.	Length (mm)	Colour Temp. (K)	CRI	Optics	Bracket Type	Cover	Feed	Finish
RAD 3D LED FLEX 100 Z3 IP20 XTM - 1 REFLECTOR	20	10 100mm-LED spacing	100mm -increments of 100mm up to- 2,000mm	27=2,700k 30=3,000k 35=3,500k 40=4,000k Dynamic white (with 200mm LED spacing)	83 95 98 (Refer to Xicato XTM data sheet)	11° 29° 47° 71°	Fixed Adjustable Adjustable-spring clip	Clear	End Back Side	Black White Any RAL-colour