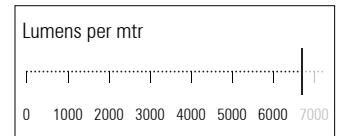
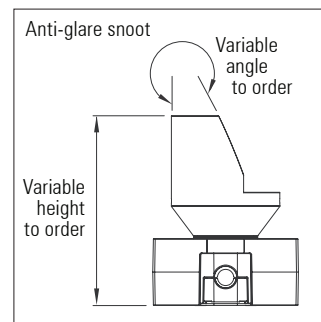
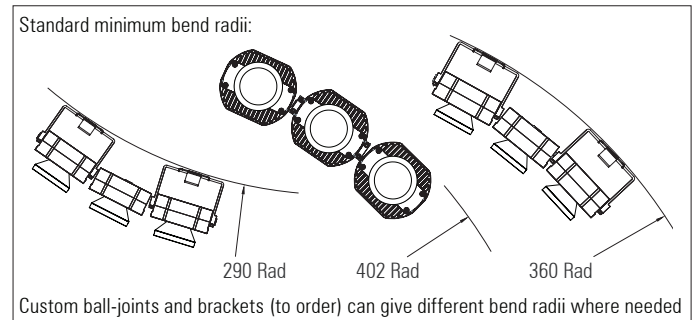
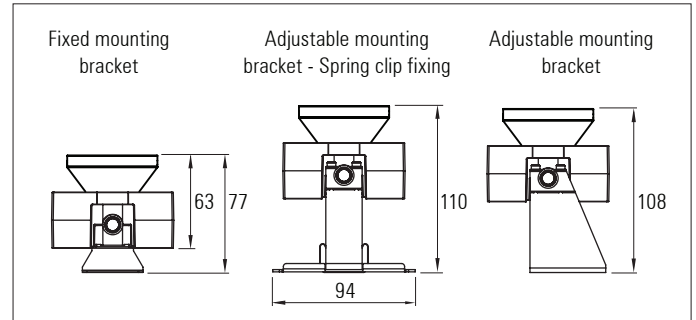
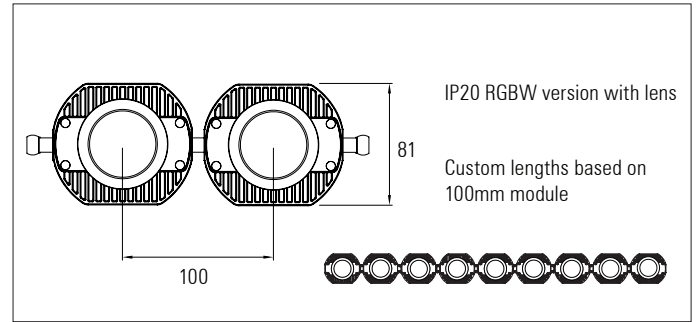


3D LED FLEX 100

IP 20 RGBW version with highly efficient Gaggione lens
Modular, 3D flexible LED linear lighting system



RAD 3D LED Flex 100 IP 20 RGBW L

Modular, flexible LED linear lighting system

Product description:

For use in interior indirect cove lighting applications where the building surfaces are non linear with curved profiles

Each module - 4 x Luxeon Z LEDs, with a highly efficient colour-blending Gaggione lens

Up to 10 Watts per 100mm module. Up to 48 Volt DC supply

Flexible in 3 dimensions - Articulated ball-joint system between modules

Continuous lighting without dark areas - LED pitch is maintained between strips

Integral LV constant current driver - up to 100mA

16 Amp IP20 connectors join strips together on-site

Remote DMX controller can run 1.5 mtrs and can be located up to 20 mtrs from the LED system

Satin black, satin white or any RAL paint colour finish

Custom lengths based on a 100 mm module up to 2 mtrs

Various mounting options and bracket types are available

Product Code	IP	No. of LEDs per mtr.	Length (mm)	Colour Temp. (K)	CRI	Optics	Bracket Type	Cover	Feed	Finish
RAD 3D LED FLEX 100 IP20 RGBW L	20	40 (100mm spacing between LED arrays)	100mm -increments of 100mm up to- 2,000mm	RGBW RGBA RGB	80 90	N - 5° M - 10° W - 17° E - 6x20°	Adjustable Fixed Custom	Clear Frosted Opal	End Back Side	Black White Any RAL-colour