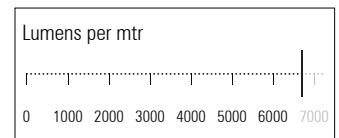
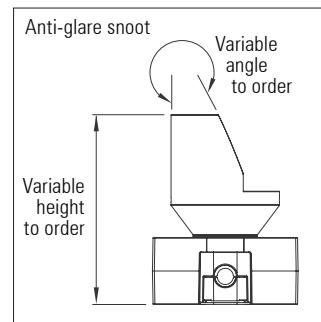
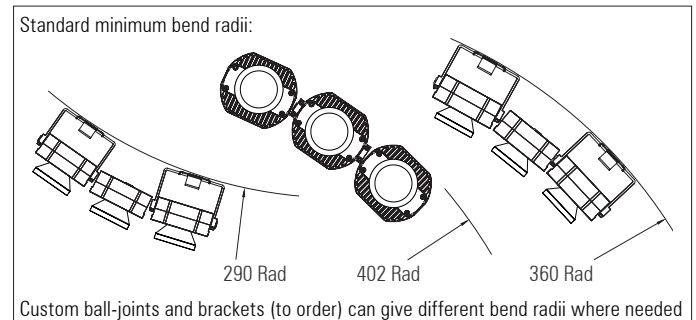
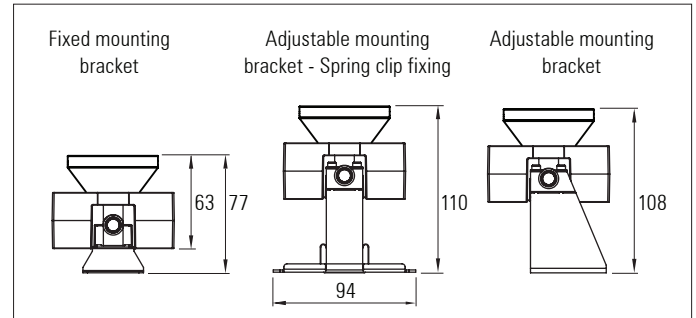
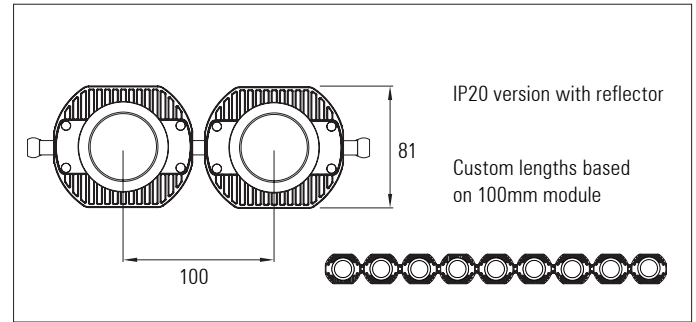


3D LED FLEX 100

IP 20 with 1 x 10 Watt COB LED array with reflector per module
Modular, 3D flexible LED linear lighting system



RAD 3D LED Flex 100 IP 20 CZ 10 - 1

Modular, flexible LED linear lighting system

Product description:

For use in interior direct wall washing applications or indirect cove lighting applications where the building surfaces are non linear with curved profiles

Each module - 1 x 10 Watt Citizen or Sharp LED array with reflector

Up to 10 Watts per 100mm module

30 Volt - 48 Volt DC supply depending on application

Flexible in 3 dimensions - Articulated ball-joint system between modules

Continuous lit effects without dark areas - 100 mm LED pitch is maintained between modules

Integral LV constant current driver

16 Amp IP20 connectors join strips together on-site. Side, back and end connector options - no dark areas between individual strips

Dimming options available: 1 - 10V, DALI and DMX

Various LED colour temperature and CRI options available

Wide, medium and narrow reflector options, plus diffusing covers and anti-glare snoot available

Satin black, satin white or any RAL paint colour finish

Custom lengths based on a 100 mm module up to 2 mtrs

Various mounting options and bracket types are available

Product Code	IP	No. of LEDs per mtr.	Length (mm)	Colour Temp. (K)	CRI	Optics	Bracket Type	Cover	Feed	Finish
RAD 3D LED FLEX 100 IP20 CZ 10 - 1	20	10 100mm-LED spacing	100mm -increments of 100mm up to- 2,000mm	27=2,700k 30=3,000k 35=3,500k 40=4,000k 45=4,500k 50=5,000k Dynamic white - (with 200mm LED spacing)	80 90	WW 120° W 84° M 41° N 16°	Fixed Adjustable Adjustable-spring clip	Clear	End Back Side	Black White Any RAL-colour