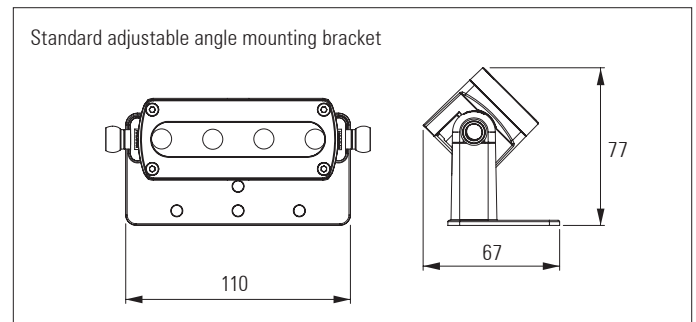
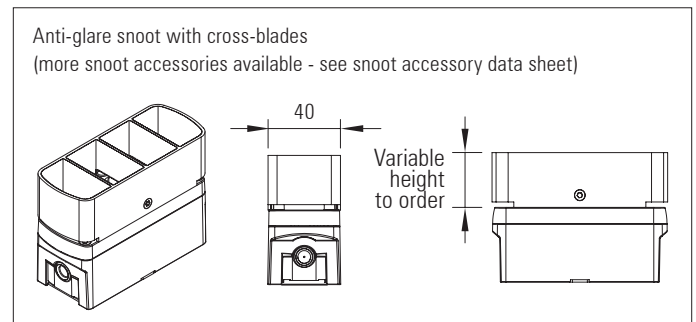
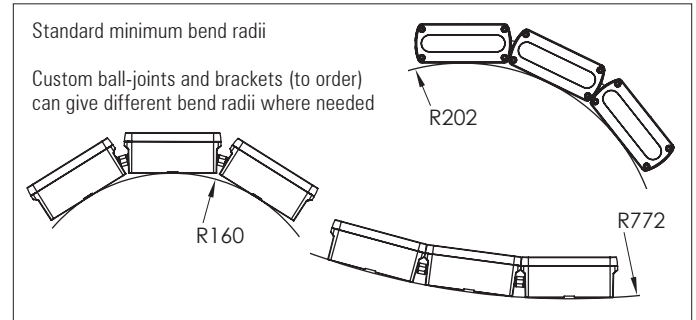
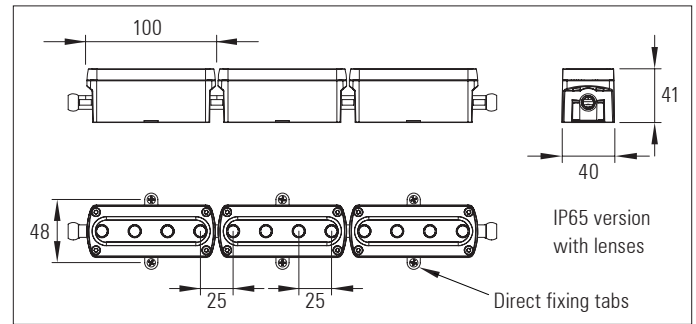


3D LED FLEX 40

IP 65 with 2 or 4 x Cree XPE LEDs with lenses per module
Modular, 3D flexible LED linear lighting system



RAD 3D LED Flex 40 IP 65 XPE - 4 L

Modular, three dimensionally flexible LED linear lighting system

Product description:

For use in exterior indirect cove lighting applications or direct wall-washing applications where the building surfaces are non linear with curved profiles

Each module - 2 or 4 x Cree XPE LEDs, with lenses

4.5 Watts per 100mm module

Up to 48 Volt DC supply depending on application

Flexible in 3 dimensions - Articulated ball-joint system between modules

Continuous lighting without dark areas - LED pitch is maintained between modules and between the individual luminaires

Integral LV constant current driver

16 Amp IP67 connectors join strips together on-site

Dimming options available: 1 - 10V, DMX and DALI

Various LED colour temperature and CRI options available

Satin black, satin white or any RAL paint colour finish

Custom lengths based on a 100 mm module up to 2 mtrs

Various mounting options and bracket types are available

Low iron UV block glass covers or UV stable polycarbonate windows

Anti-glare snoots available

Product Code	IP	No. of LEDs per mtr.	Length (mm)	Colour Temp. (K)	CRI	Optics	Bracket Type	Cover	Feed	Finish
RAD 3D LED FLEX 40 IP65 XPE - 4 L	65	10 = 100mm 20 = 50mm 40 = 25mm (LED spacing in mm)	100mm -increments of 100mm up to- 2,000mm	27=2,700k 30=3,000k 35=3,500k 40=4,000k 45=4,500k 50=5,000k RGB RGBW RGBA Dynamic white	80 90	W 58° M 30° N 14° NN 10° E 33x15°	Adjustable Fixed	Clear	End Back Side	Black White Any RAL-colour