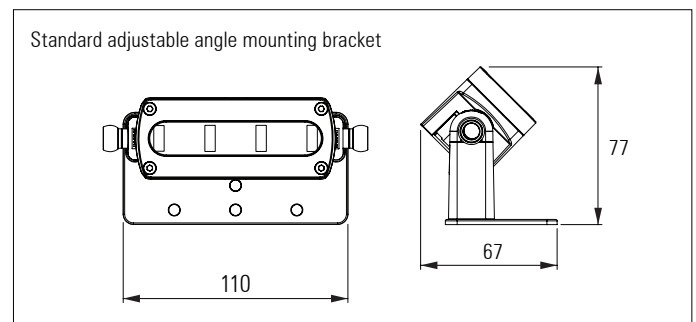
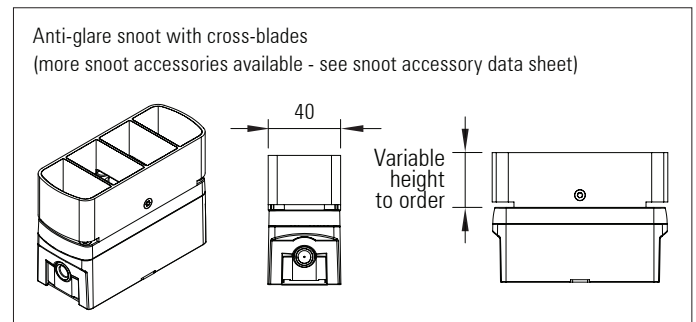
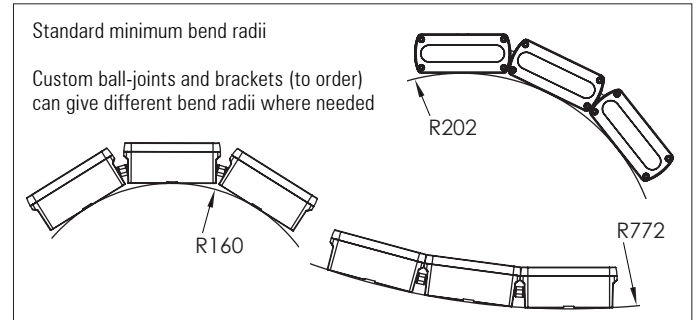
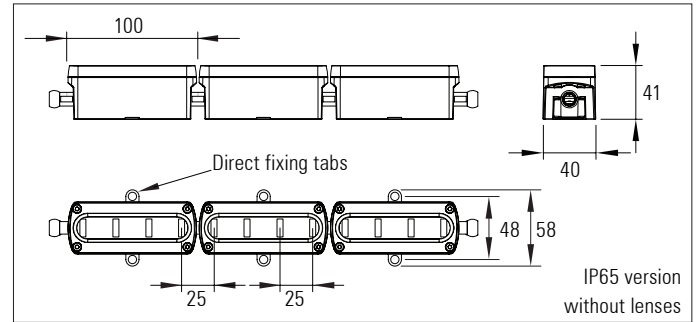


3D LED FLEX 40

IP 65 with 12 x 0.3 Watt LEDs per module
Modular, 3D flexible LED linear lighting system



RAD 3D LED Flex 40 IP 65 0.3 SS - 12

Modular, flexible LED linear lighting system

Product description:

For use in exterior indirect cove lighting applications where the building surfaces are non linear with curved profiles

Each module - 12 x 0.3 Watt Osram or Samsung LEDs, without lenses

Up to 4.5 Watts per 100mm module. 24 Volt DC supply

Flexible in 3 dimensions - Articulated ball-joint system between modules

Continuous lighting without dark areas - LED pitch is maintained between modules and between the individual luminaires

Integral LV constant current driver

16 Amp IP67 connectors join strips together on-site

Dimming options available: 1-10V, DMX and DALI. Separate dimming channel

Various LED colour temperature and CRI options available

Satin black, satin white or any RAL paint colour finish

Custom lengths based on a 100 mm module up to 2 mtrs

Various mounting options and bracket types are available

Low iron UV block glass covers or UV stable polycarbonate windows

Anti-glare snout available

| Product Code | IP | No. of LEDs per mtr. | Length (mm) | Colour Temp. (K) | CRI | Optics | Bracket Type | Cover | Feed | Finish |
|-------------------------------------|----|-------------------------|---|--|----------|--------|-------------------------------|------------------|---------------------|----------------------------------|
| RAD 3D LED FLEX 40 IP65 0.3 SS - 12 | 65 | 120 25mm-LED spacing | 100mm -increments of 100mm up to- 2,000mm | 27=2,700k 30=3,000k 35=3,500k 40=4,000k 45=4,500k 50=5,000k | 80 90 | 90° | Adjustable Fixed Custom | Clear Frosted | End Back Side | Black White Any RAL-colour |