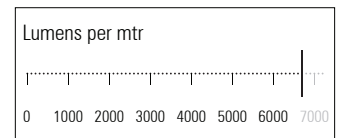
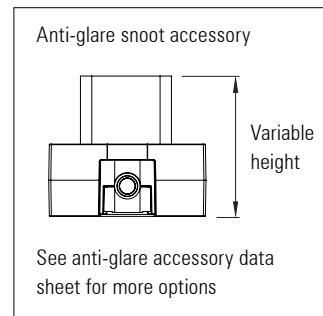
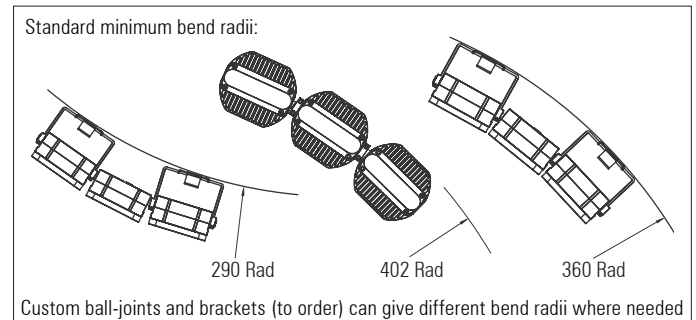
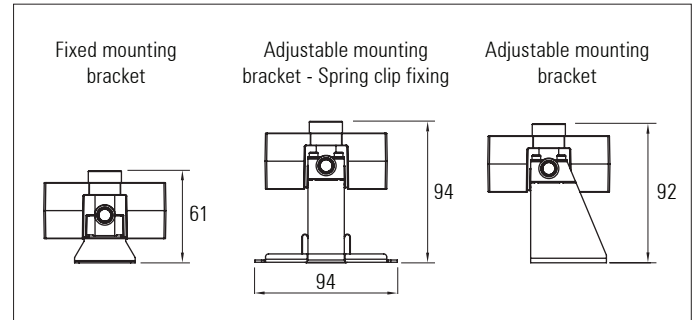
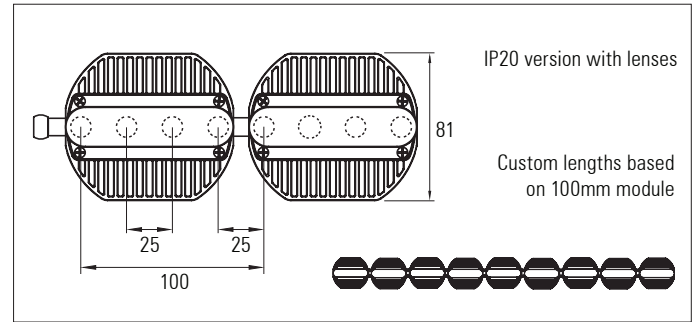


## 3D LED FLEX 100

IP 20 with 4 x Cree XBD / XPE LEDs with lenses per module

Modular, 3D flexible LED linear lighting system



### RAD 3D LED Flex 100 IP 20 XBD / XPE - 4 L

Modular, flexible LED linear lighting system

#### Product description:

For use in interior indirect cove lighting applications or direct wall washing applications where the building surfaces are non linear with curved profiles

Each module - 4 x Cree XBD / XPE LEDs, with lenses

Up to 10 Watts per 100 mm module

30 Volt - 48 Volt DC supply depending on application

Flexible in 3 dimensions - Articulated ball-joint system between modules

Continuous lit effects without dark areas - 25mm LED pitch is maintained between modules

Integral LV constant current driver

16 Amp IP20 connectors join strips together on-site. Side, back and end connector options - no dark areas between individual strips

Dimming options available: 1 - 10V, DMX and DALI

Various LED colour temperature and CRI options available

Satin black, satin white or any RAL paint colour finish

Custom lengths based on a 100 mm module up to 2 mtrs

Various mounting options and bracket types are available

Product Code	IP	No. of LEDs per mtr.	Length (mm)	Colour Temp. (K)	CRI	Optics	Bracket Type	Cover	Feed	Finish
RAD 3D LED FLEX 100 IP20 XPE - 4 L	20	40 25mm-LED spacing	100mm -increments of 100mm up to- 2,000mm	27=2,700k 30=3,000k 35=3,500k 40=4,000k 45=4,500k 50=5,000k RGB RGBW RGBA Dynamic white	80 90	WW 120° W 84° M 41° N 16° E 18x48°	Fixed Adjustable Adjustable-spring clip	Clear	End Back Side	Black White Any RAL-colour