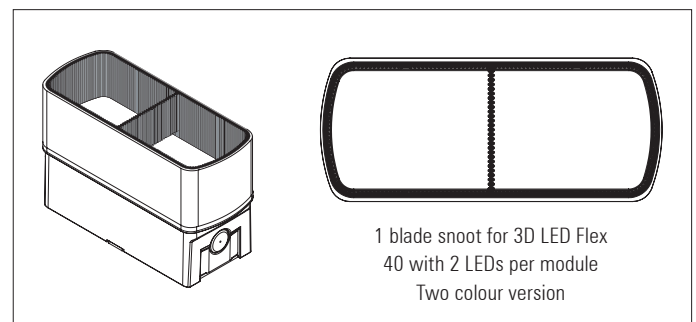
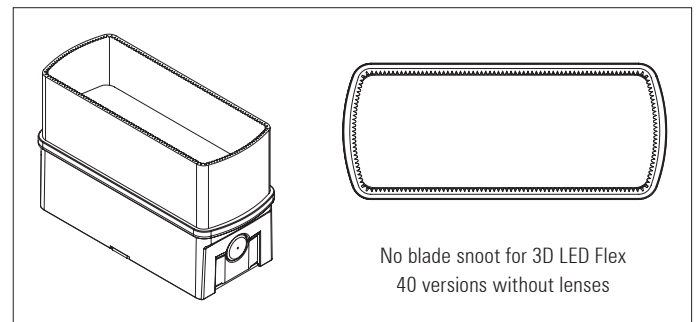
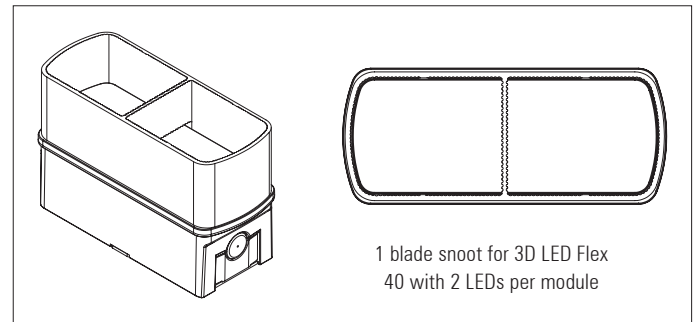
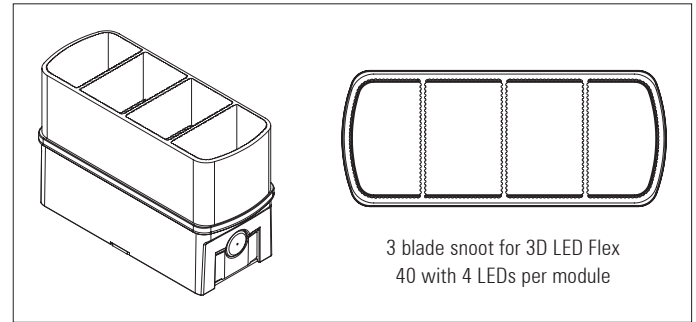
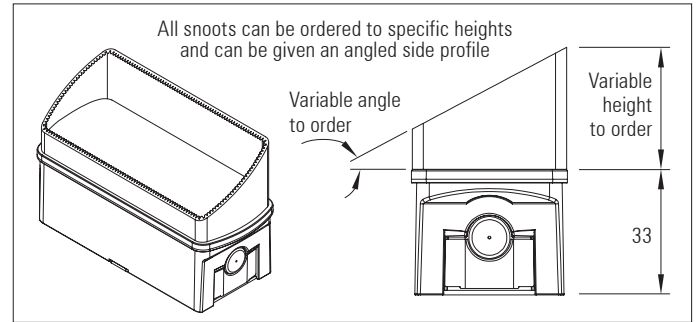
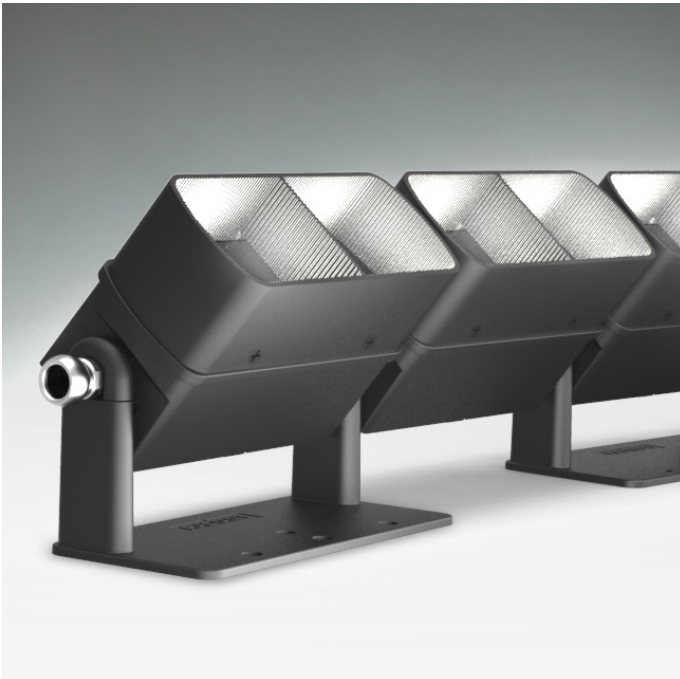


3D LED FLEX 40 anti-glare accessories

Anti-glare snoots for the 3D LED FLEX 40 system
Modular, flexible LED linear lighting system



RAD 3D LED Flex 40 Snoots

Anti-glare snoots for the 3D LED Flex 40 system

Product description:

For use with the 3D LED Flex 40 system to control light glare from the LEDs when the fixtures are not fully recessed

3 blade, 1 blade and no blade versions are available for lensed and non lensed versions, and for when the modules have 1, 2 or 4 LEDs

Satin black, satin white or any RAL paint colour finish. Two colour versions available - eg. white finish on exterior & black finish on interior of snoot

Custom height to order

Straight versions or custom angle side-profile versions available

Product Code	No. of blades	IP	Height (mm)	Angle	Finish
RAD 3D LED FLEX 40 SNOOT	0	20	20mm	0°	Black
	1	65	-increments of 5 mm up to-	-increments of 5° up to-	White
	3		80mm	75°	Any RAL-colour Two colour

