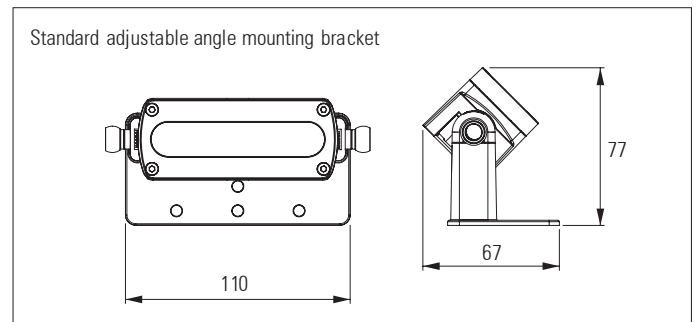
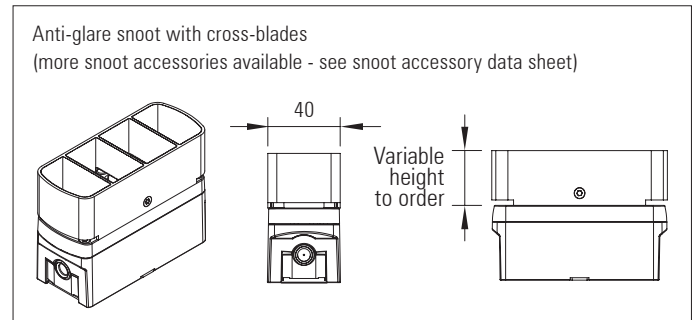
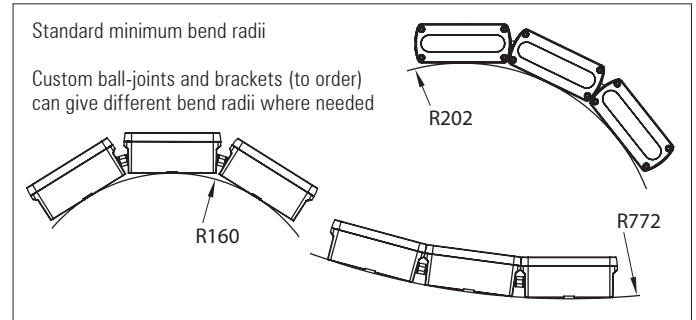
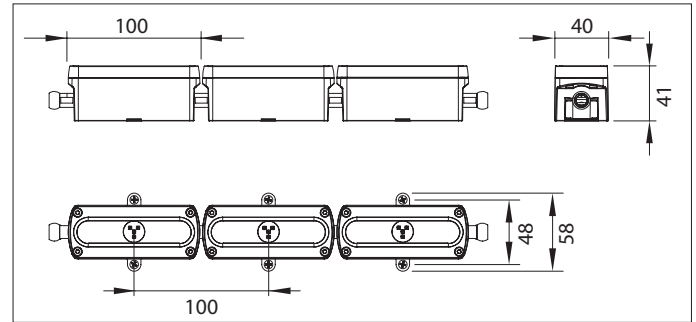


## 3D LED FLEX 40

IP 65 RGBW version with high efficiency white reflector  
Modular, 3D flexible LED linear lighting system



### RAD 3D LED Flex 40 IP 65 RGBW- 4

Modular, flexible LED linear lighting system

#### Product description:

For use in exterior indirect cove lighting applications where the building surfaces are non linear with curved profiles

Each module - 4 x Cree XBD or XPE LEDs, without lenses

High efficiency white reflector

Up to 4.5 Watts per 100mm module

Up to 48 Volt DC supply depending on application

Flexible in 3 dimensions - Articulated ball-joint system between modules

Continuous lighting without dark areas - LED pitch is maintained between the individual luminaires

Integral LV constant current driver - up to 350mA

16 Amp IP67 connectors join strips together on-site

Remote DMX / DALI controller can be located up to 50 mtrs from the LED system

Satin black, satin white or any RAL paint colour finish

Custom lengths based on a 100 mm module up to 2 mtrs

Various mounting options and bracket types are available

Low iron UV block glass covers or UV stable polycarbonate windows

Anti-glare snouts available

Product Code	IP	No. of LEDs per mtr.	Length (mm)	Colour Temp. (K)	CRI	Optics	Bracket Type	Cover	Feed	Finish
RAD 3D LED FLEX 40 IP65 RGBW - 4	65	40 (100mm spacing between LED arrays)	100mm -increments of 100mm up to- 2,000mm	RGBW RGBA RGB	80 90	120°	Adjustable Fixed Custom	Clear Frosted Opal	End Back Side	Black White Any RAL-colour