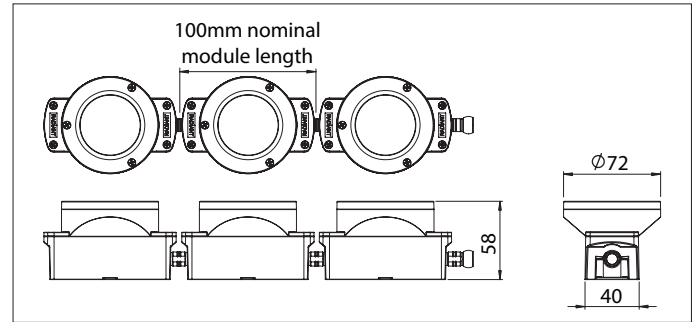


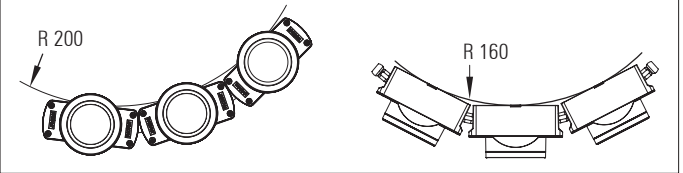
3D LED FLEX 40

IP 65 version with highly efficient Gaggione lens
Modular, 3D flexible LED linear lighting system



Standard minimum bend radii:

(Custom ball-joints and brackets to order - can give different bend radii where needed)



RAD 3D LED Flex 40 IP 65 with Gaggione Lens

Modular, flexible LED linear lighting system

For use in exterior indirect cove lighting applications where the building surfaces are non linear with curved profiles

Product description:

Each module comprises 4 x Luxeon Z LEDs. Custom RGBW and white LED combinations to order (various LED colour temperatures and CRI options available)

Up to 4.5 Watts per 100mm module.

Up to 48 Volt DC supply depending on application

Flexible in 3 dimensions - Articulated ball-joint system between modules

Continuous lighting without dark areas - LED pitch is maintained between the individual strips

Integral LV constant current driver - up to 350mA

16 Amp IP67 connectors join strips together on-site

Remote DMX / DALI controller can be located up to 50 mtrs from the LED system

Satin black, satin white or any RAL paint colour finish

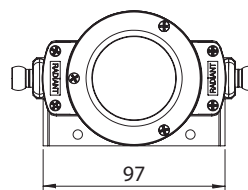
Custom lengths based on a 100 mm module up to 2 mtrs

Various mounting options and bracket types are available

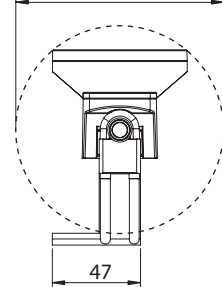
Low iron UV block glass covers or UV stable polycarbonate windows

Anti-glare snoots available

Adjustable angle bracket:

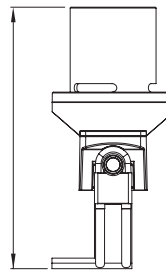


Ø110



Anti-glare snoot:

Variable height to order



Product Code	IP	No. of LEDs per mtr.	Length (mm)	Colour Temp. (K)	CRI	Optics	Bracket Type	Cover	Feed	Finish
RAD 3D LED FLEX 40 IP65 GAGGIONE	65	40 (100mm spacing between LED arrays)	100mm -increments of 100mm up to- 2,000mm	27=2,700k 30=3,000k 40=4,000k 45=4,500k 50=5,000k RGBW RGBA RGB	80 90	N - 5° M - 10° W - 17° E - 6x20°	Adjustable Fixed Custom	Clear Frosted	End Back Side	Black White Any RAL-colour